


[Company Info](#)
[Products](#)
[News](#)
[Investor Rela](#)
[Sign in to mysilabs.com](#)
Username: Password: 

Not a member? [Sign up today](#)Forgot password? [Click here](#)
 
[ADVANCED SEARCH](#)
[mysilabs.com](#)
[QUALITY](#)
[SUPPORT](#)
[TECHNICAL LIBRARY](#)
[SITE GUIDE](#)
[Power over Ethernet](#)
[Si3400](#)
[ISOmodem®](#)
[Si2401](#)
[Si2404](#)
[Si2415](#)
[Si2417/35](#)
[Si2434](#)
[Si2457](#)
[Modules](#)
[Product Matrix](#)
[ProSLIC®](#)
[Si324x](#)
[Si3210/11/15/30](#)
[Si3216](#)
[Si3220/25/32](#)
[Product Matrix](#)
[DSL AFE Products](#)
[Si3101/10](#)
[Silicon DAA](#)
[Si3050](#)
[Si3052](#)
[Si3054](#)

## Si2417/35 ISOmodem®



"Utilizing Silicon Laboratories patented DAA technology, the ISOmodem offers global compliance in a single footprint."

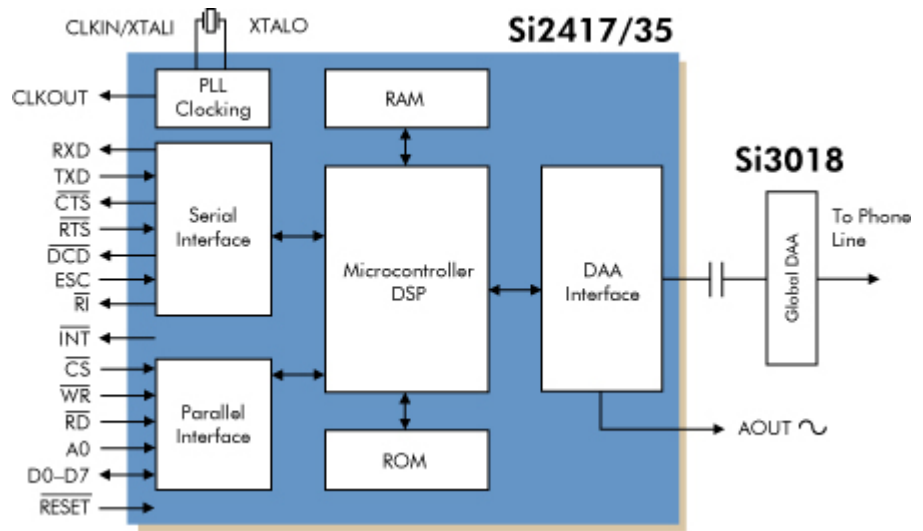
[Summary](#) [Features](#) [Documentation](#) [Product Matrix](#)

The Si2417 and Si2435 ISOmodems are complete two-chip fax modems integrating Silicon Laboratories proprietary Direct Access Arrangement (DAA) to provide a globally programmable telephone line interface with an unparalleled level of integration.

Available in two small outline packages, these compact modem solutions eliminate the need for a separate DSP, modem controller, codec, isolation transformer, relays, opto-isolators, clocking crystal and 2-4 wire hybrid. The Si2417 and Si2435 ISOmodems provide conventional fax formats with connect rates of up to 14,400 bps and 33,600 bps respectively, over the Public Switched Telephone Network (PSTN). Other features include parallel phone detection, line-in-use monitoring, global caller ID, and excellent surge immunity. These devices are ideal for fax modem applications due their flexibility, small footprint and minimal external component count.

### Si2417/35 Block Diagram

Si3056  
Si306x  
Product Matrix  
Voice Codecs  
Si3000



[BACK TO TOP](#)

COPYRIGHT 2006 SILICON LABORATORIES INC.

[SITE GUIDE](#) [PRIVACY](#) [LEGAL](#)